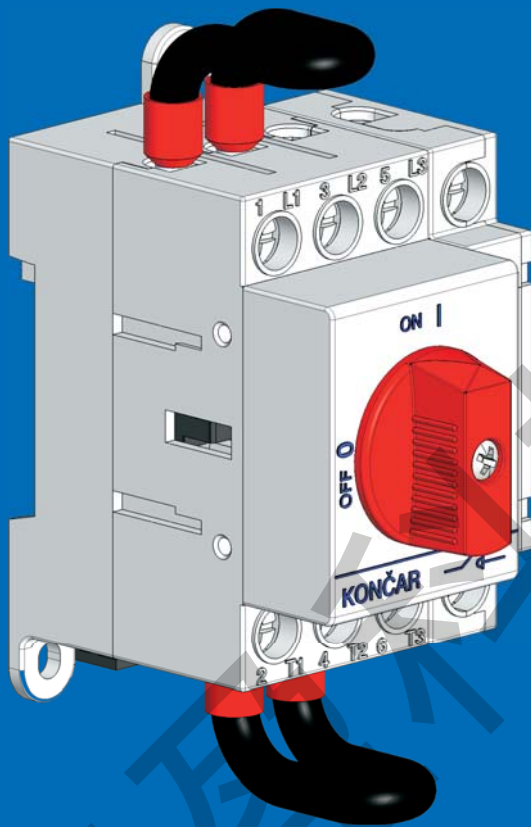


# KOMPAKTNE SKLOPKE za fotonaponske sustave

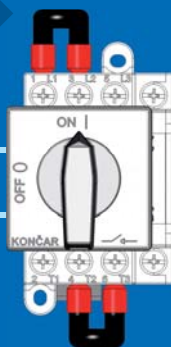
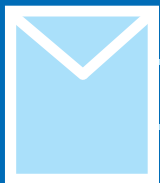
## SWITCH-DISCONNECTORS for photovoltaic application

# CSP

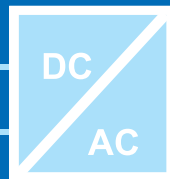


**-DC-**  
**KOMPAKTNA SKLOPKA**  
**SWITCH-DISCONNECTOR**  
**CSP**

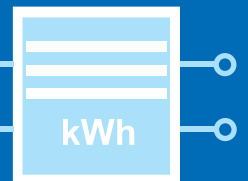
**FOTONAPONSKI**  
**MODUL**  
**PHOTOVOLTAIC**  
**MODULE**



**DC / AC**  
**PRETVARAČ**  
**INVERTER**



**-AC-**  
**RASTAVNA SKLOPKA**  
**SWITCH-DISCONNECTOR**



74049



# KONČAR

Razvoj obnovljivih izvora energije na osnovi fotonaponskih panela ima za posljedicu razvoj rastavnih sklopki koje služe za isklapanje istosmjernih strujnih krugova.

Prema normi IEC 60364-7-712 za fotonaponske instalacije mora se osigurati izoliranje, što sklopke serije CSP, s dvostrukim prekidnim mjestom, u potpunosti zadovoljavaju.

S nazivnim pogonskim strujama do 80A u kategoriji upotrebe DC21B, te nazivnim pogonskim naponom do 1000V, ovaj tip sklopki može ispuniti sve zahtjeve instalacija.

Rastavne sklopke su konstruirane tako da se mogu postaviti između fotonaponskih ćelija i DC/AC pretvarača.

The development of renewable energy sources on the basis of photovoltaic panels has resulted with the development of switch-disconnectors which are used for switching off DC circuits.

Switch-disconnectors series CSP with double breaking system completely fulfil requirements for isolation according to IEC 60364-7-712 for photovoltaic installations.

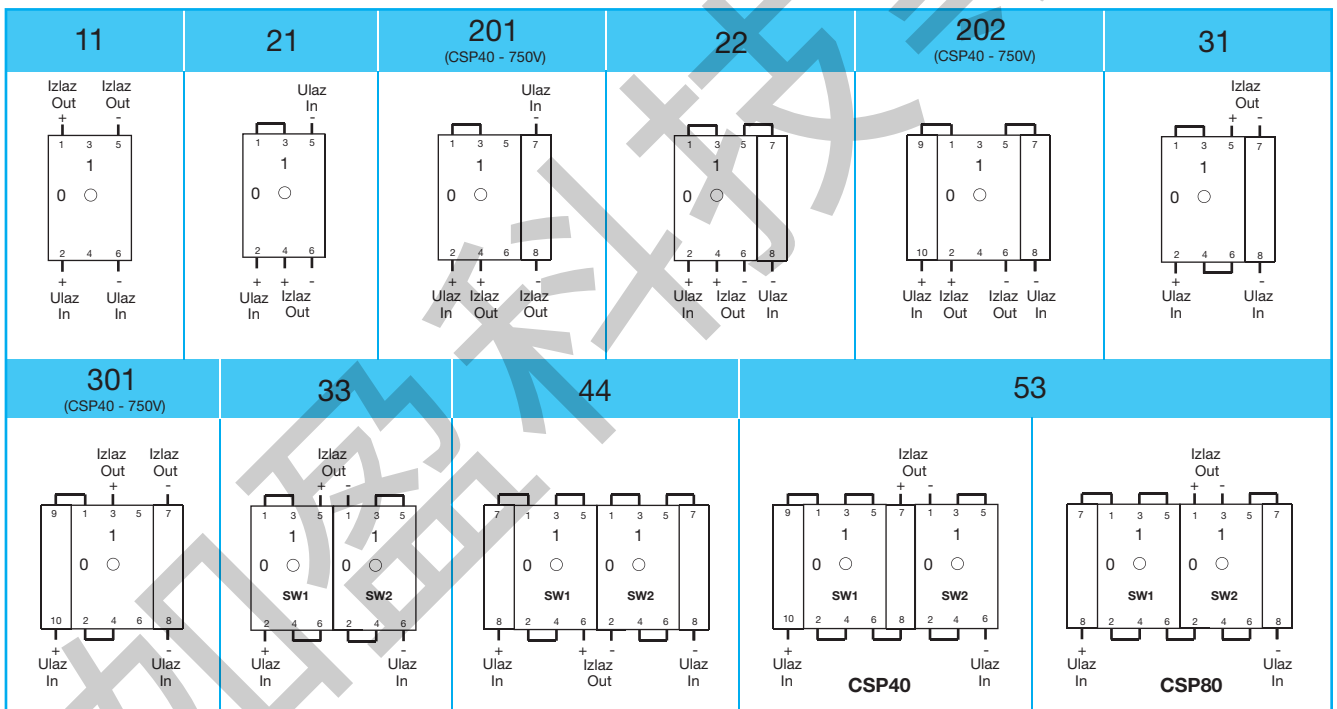
CSP type of switch-disconnectors can meet all requirements of installation with rated operational voltage up to 1000V and operational currents up to 80A in utilization category DC21B.

Switch-disconnectors are designed to be placed between photovoltaic cells and DC/AC inverter.

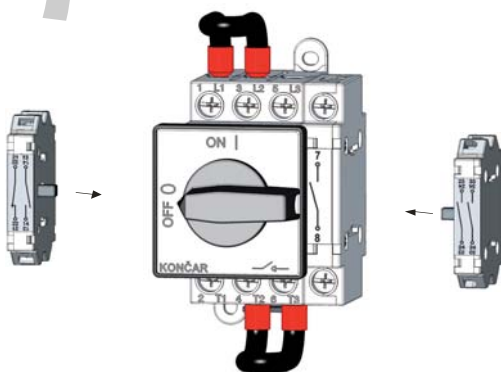
- Kompaktna konstrukcija
- U skladu s normom IEC 60947
- Stupanj mehaničke zaštite IP65
- Montaža na DIN šinu ili pomoću vijaka

- Compact design
- According to IEC 60947
- Protection degree IP65
- DIN-rail or screw mounting

## SHEME SPAJANJA / CONNECTION DIAGRAMS



## UGRADNJA POMOĆNIH KONTAKATA / INSTALLING AUXILIARY CONTACTS



Pomoćni kontakti / Auxiliary contacts

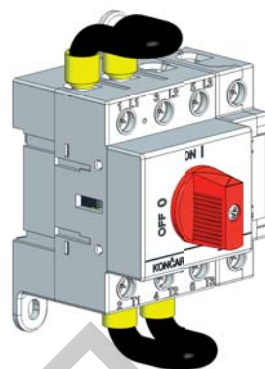
- 1n/o+1n/c
- 2n/o

Prigradnje se montiraju u položaju "0".

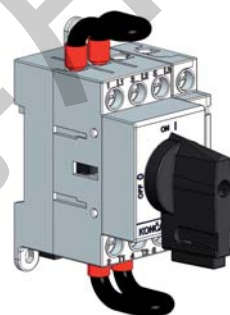
Accessories must be mounted in position "0".

## TEHNIČKI PODACI / TECHNICAL DATA

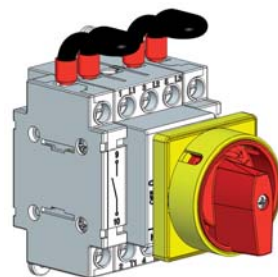
Nazivni pogonski napon Rated operational voltage $U_e$ [V]	Nazivna pogonska struja Rated operational current $I_e$ [A] DC21B	Tip kompaktne sklopke Type of switch-disconnector	Broj polova Number of poles
220	40	CSP40-21	3
	50	CSP80-21	3
	80	CSP80-31 ili/or CSP80-22	4
450	7	CSP40-11	2
	16	CSP40-21	3
	30	CSP40-31 ili/or CSP40-22	4
	40	CSP40-33	6
	40	CSP40-44	8
	63	CSP80-31 ili/or CSP80-22	4
	80	CSP80-33	6
	80	CSP80-44	8
500	16	CSP40-21	3
	30	CSP40-31 ili/or CSP40-22	4
	35	CSP80-31 ili/or CSP80-22	4
	35	CSP40-33	6
	40	CSP40-44 ili/or CSP40-53	8
	50	CSP80-33	6
	80	CSP80-44 ili/or CSP80-53	8
600	12	CSP40-21	3
	18	CSP40-31 ili/or CSP40-22	4
	45	CSP80-33	6
	65	CSP80-53 ili/or CSP80-44	8
750	8	CSP40-201	3
	12	CSP40-301 ili/or CSP40-202	4
	35	CSP40-33	6
	40	CSP40-44 ili/or CSP40-53	8
	45	CSP80-33	6
	50	CSP80-44 ili/or CSP80-53	8
1000	16	CSP40-33	6
	20	CSP40-44 ili/or CSP40-53	8
	20	CSP80-33	6
	30	CSP80-44 ili/or CSP80-53	8



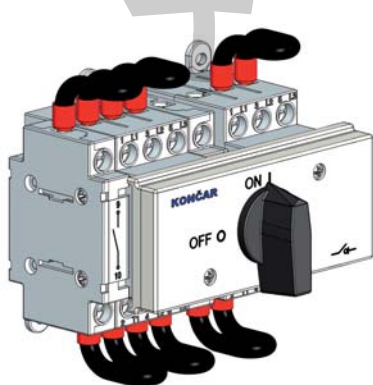
CSP80-31-40048D



CSP40-31-O48D,56



CSP40-202-40006



CSP40-53-O48D

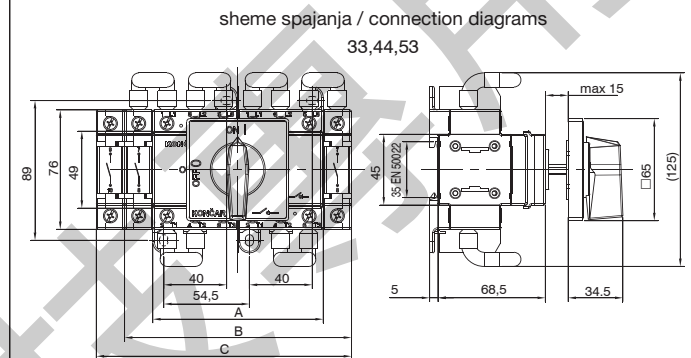
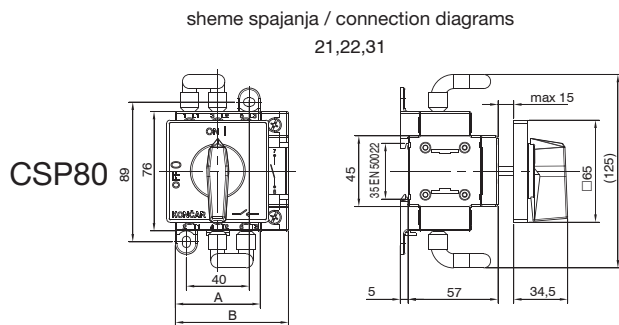
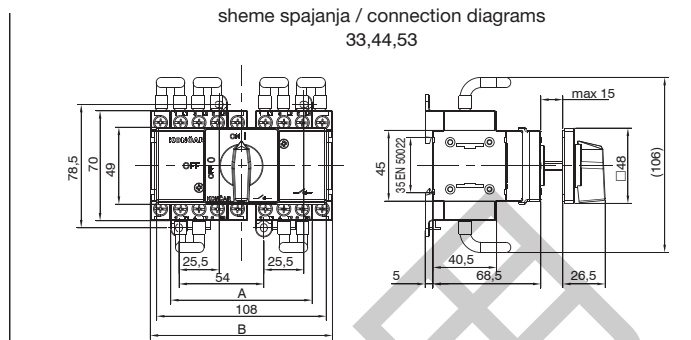
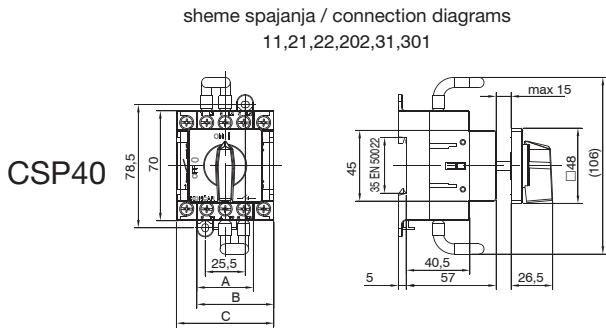


CSP80-44-O



# MJERNE SKICE / DIMENSIONAL DRAWINGS

ODVOJENA UGRADNJA  
REAR MOUNTING



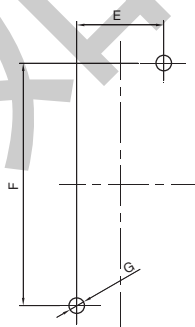
Tip / Type	CSP40					CSP80				
	11,21	22,31	202,301	33	44,53	21	22,31	33	44	53
<b>A</b>	36	-	-	90	-	54	-	108,5	-	-
<b>B</b>	-	49	-	-	116	-	72	-	144,5	-
<b>C</b>	-	-	62	-	-	-	-	-	-	162,5

# PLAN BUŠENJA / DRILLING PLAN

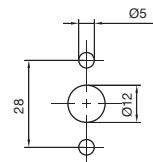
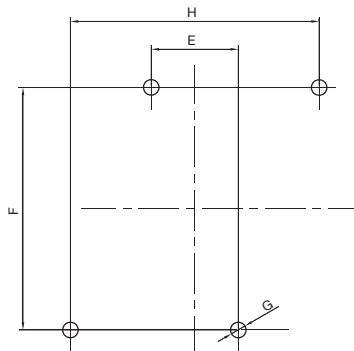
Stražnji lim  
Rear plate

Prednji lim  
Front plate

sheme spajanja / connection diagrams  
11,21,22,202,31,301



sheme spajanja / connection diagrams  
33,44,53



Tip / Type		E	F	G	H
<b>11,21,22,202,31,301</b>	<b>CSP40</b>	25	78	4,5	-
	<b>CSP80</b>	40	88	5,5	-
<b>33,44,53</b>	<b>CSP40</b>	28	78	4,5	80
	<b>CSP80</b>	14	88	5,5	94