

SWITCH-DISCONNECTORS SERIES PV FOR PHOTOVOLTAIC APPLICATION

The development of renewable energy sources on the basis of photovoltaic panels has resulted with the development of switch-disconnectors which are used for switching off DC circuit.

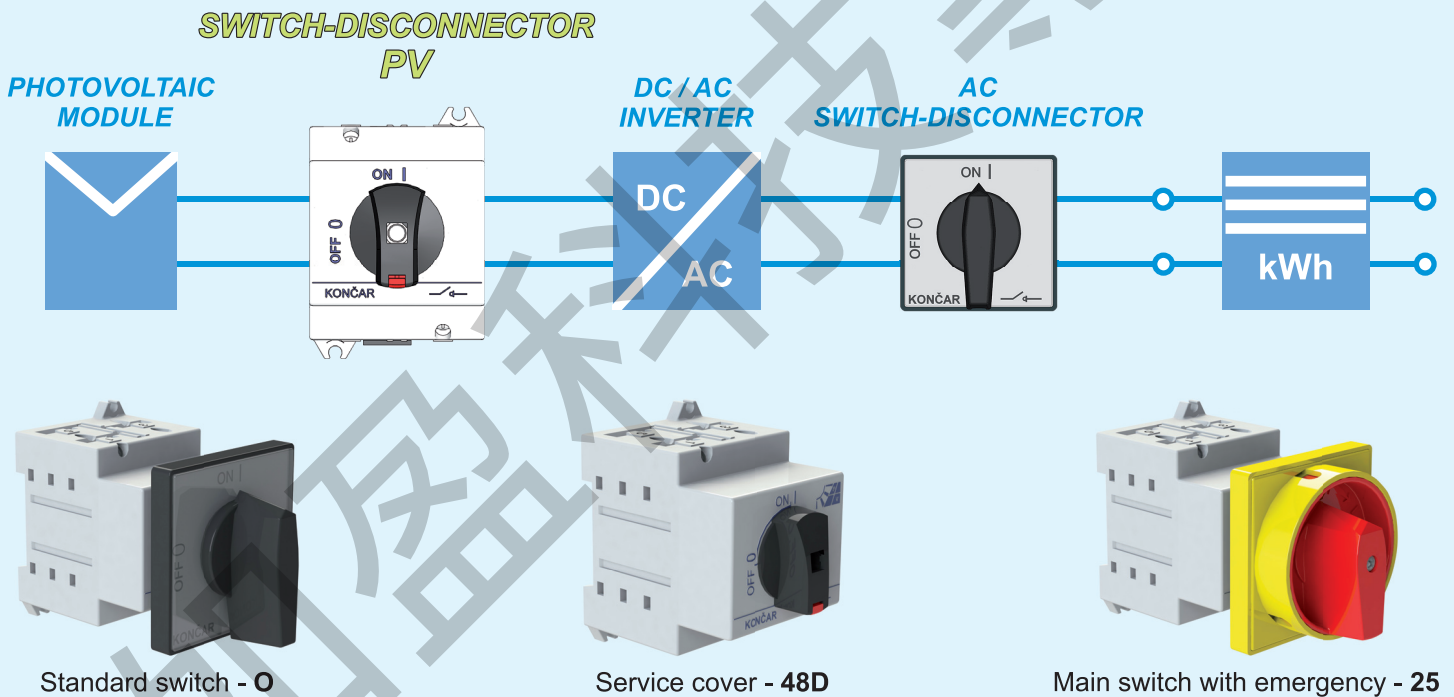
Switch-disconnectors series PV with double breaking system completely fulfil requirements for isolation according to IEC 60364-7-712 for photovoltaic installations.

PV type of switch-disconnectors can meet all requirements of installation with rated operational voltage up to 1000V (1500V) and operational currents up to 40A in utilization category DC21B.

Switch-disconnectors are designed to be placed between photovoltaic cells and DC/AC inverter.

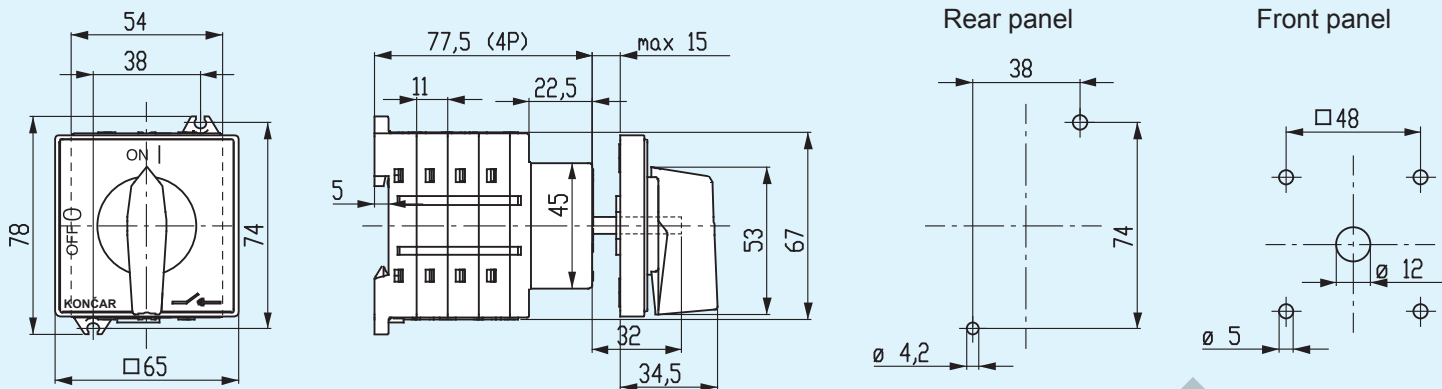


- Compact design
- Protection degree IP65
- According to IEC 60947
- DIN - rail or screw mountings



Number of poles	2P	3P	4P		2x2P
Schema	11	21	31	22	2x11
Connecting diagram					

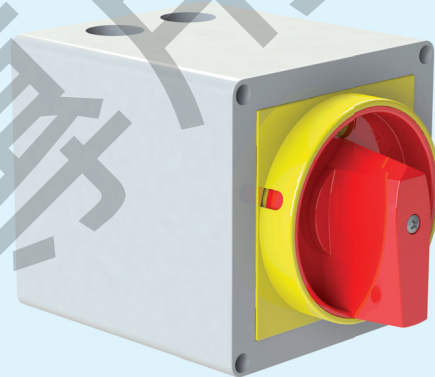
Dimensional drawing



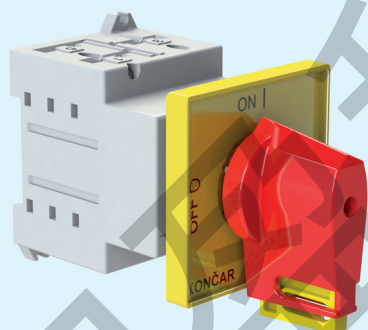
Technical data

DC21B	Operational current / numbers of poles		
	PV25	PV32	PV40
300V	25/2P	32/2P	40/2P
400V	25/2P	32/2P	40/2P
600V	25/2P	32/2P	40/3P
800V	25/2P	32/3P	40/3P
1000V	16/2P	32/3P	40/4P
	25/3P		
1200V*	20/4P	25/4P	32/4P
1500V*	16/4P	20/4P	25/4P

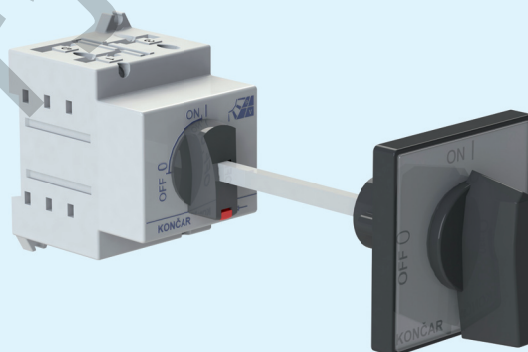
* - pollution degree 2



Plastic enclosure - P



Main switch with emergency - 75



Door coupling - 102

Ordering code example: PV40-31-O48D

PV40 - switch type 31 - schema O - rear mounting 48D - optional extra



KONČAR .SP
NISKONAPONSKE SKLOPKE I PREKIDAČI