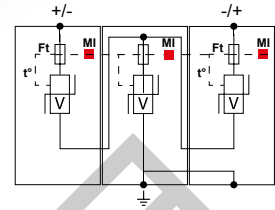
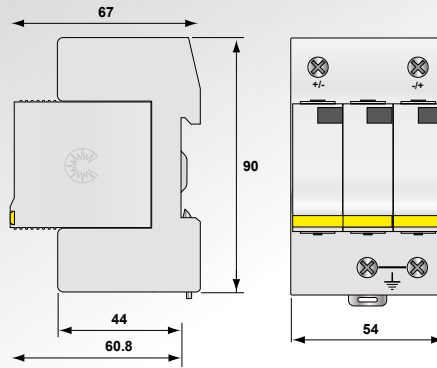
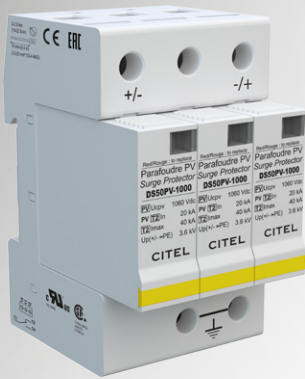




Type 2 PV Surge Protector DS50PV-1000



V: High energy MOV
Ft: Thermal fuse
t*: Thermal disconnection mechanism
MI: mechanical indicator

- Type 2 Surge Protector for Photovoltaic 1000 Vdc
- In : 20 kA
- Imax : 40 kA
- Pluggable module
- Remote Signaling (option)
- EN 50539-11 compliance
- UL1449 4ed. approved

Characteristics

CITEL Model	DS50PV-1000	
Description	Surge protector for 1000 V PV installation	
Connection mode	DC+/DC-/PE	
Nominal operating voltage	1000 Vdc	
Residual current - Leakage current at Ucpv	Ipe	< 0,1 mA
Type of SPD	Type 2	
EN50539-11	Max. operating PV voltage	Ucpv 1060 V
	Nominal discharge current - 15 x 8/20 μs impulses	In 20 kA
	Max. discharge current - max. withstand @ 8/20 μs by pole	Imax 40 kA
	Protection level CM/DM @In (8/20μs) and @ 6kV (1.2/50μs)	Up 3,6 kV
	Current withstand short circuit PV	Icpv 1000 A
UL1449 4 ed	Type of SPD	Type 1CA
	Max. continuous operating voltage	MCOV 1060 V
	Nominal discharge current - 15 x 8/20 μs impulses	In 20 kA
	Voltage Protection Ratio [DC+DC-/DC+G/DC-G]	VPR 3 kV/ 3kV / 3 kV
Current withstand short circuit	SCCR 50 kA	
Associated disconnectors		
Thermal disconnectors	Included	
External Fuses	not required	
Mechanical characteristics		
Dimensions	see diagram	
Connection to Network	Screw terminals: 2.5-25mm ²	
Disconnection indicator	3 mechanical indicators	
Remote signaling of disconnection	Option : DS50PVS-1000 output on changeover contact DSM50PV-1000	
Pluggable module		
Mounting	Symmetrical rail 35 mm (EN60715)	
Operating temperature	-40/+85°C	
Protection rating	IP20	
Housing material	Thermoplastic UL94-V0	
Standards compliance	EN50539-11 / UTE C61740-51	
Certification	TUV/UL/EAC	
Part number	480302	

*] CM = Common mode (+/PE or -/PE) - DM = Differential mode (+/-)

