

### TECHNICAL DATA 技術性資訊

Type	Symbol	Unit	KNK3053	KNK4053
Standards 標準			IEC/EN 60831-1/2	
Connection 連接			Delta (Three-phase)	
Rated reactive power 虛功率	$Q_n$	kVar	up to 40	
Rated voltage 額定電壓	$U_n$	V	220 ~ 800	
Rated frequency 額定頻率	$f_n$	Hz	50 or 60	
Capacitance tolerance 電容容差			-5/10 % (other on request)	
Dielectric losses 介電質損耗		W/kVar	≤ 0.2	
Total losses 總體損耗		W/kVar	≤ 0.45	
Temperature category 溫度種類			-40/D	
Max. humidity 濕度最大值			95 %	
Cooling 冷卻			Forced ventilation or natural air cooled	
Max. overvoltage 過電壓最大值			1.1 x $U_n$ (8 h/day)	
			1.15 x $U_n$ (30 min/day)	
			1.2 x $U_n$ (5 min - 200 times per life time)	
			1.3 x $U_n$ (1 min - 200 times per life time)	
Max. overcurrent 過電流最大值			1.5 x $I_n$ (Normal duty) or 2 x $I_n$ (Heavy duty)	
			(including combined effects of overvoltages, harmonics and capacitance tolerance)	
Inrush current 突入電流			200 x $I_n$	
Expected life time 預期壽命			> 120000 h (Normal duty)	
			> 150000 h (Heavy duty)	
Discharge resistor 放電電阻			to 75 V ≤ 3 min	
Altitude 海拔			up to 2000 m	
Insulation level 絕緣等級			4/-	
<b>Routine tests 常規測試</b>				
Terminal to terminal 端子對端子			2.15 x $U_n$ , 2 s	
Terminal to case 端子至外殼			4000 V, 10 s	
Sealing test 密封測試			N/A	75 °C, 6 h
<b>Mechanical parameters 機械參數</b>				
Terminal per phase / Terminal height (TH) / Max. torque / Max. current 端子/每相 端子高度 最大扭力 最大電流			2 x 25 mm <sup>2</sup> / 35 mm / 3 Nm / 60 A for D ≥ 90 mm	
			2 x 16 mm <sup>2</sup> / 30 mm / 2 Nm / 35 A for D = 75 mm	
Mounting and grounding / Max. torque 安裝及接地 / 最大扭力			Threaded M12 bolt / 10 Nm	
Mounting position 安裝位置			Vertical with terminal pointing upwards or horizontal	Vertical with terminal pointing upwards
Protection 防護			IP20	
Clearance distance 間隙			> 16 mm	
Creepage distance 洩漏間隙			> 16 mm	
Safety device 安全裝置			Overpressure disconnecter (all phases)	
<b>Material parameters 材料參數</b>				
Dielectric 電介質			Self healing metallized polypropylene film	
Filling 充填物			Dry (filled with non PCB polyurethane resin)	Non PCB biodegradable vegetable oil
Case 外殼			Aluminium	

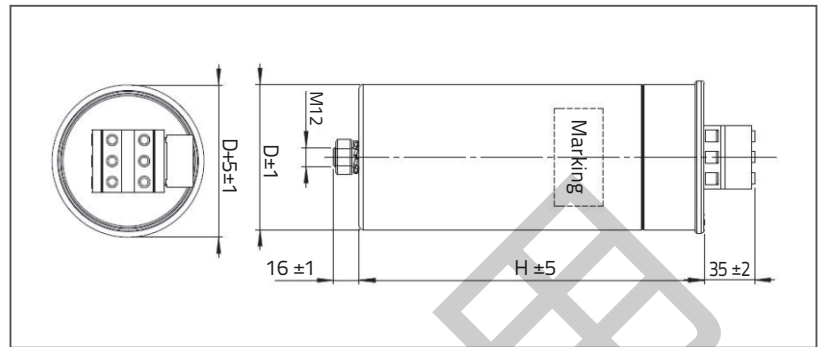
# 三相低壓乾式功因改善電容器

## KNK3053, KNK4053 - 圓柱鋁製外殼



### 三相低壓電容器

220 ... 800 V, 5 ... 40 kVar



f <sub>n</sub> = 50 Hz - Normal duty 正常負荷											
C <sub>n</sub> (μF)	Q <sub>n</sub> (kVar)	I <sub>n</sub> (A)	Q <sub>n</sub> (kVar)	I <sub>n</sub> (A)	Q <sub>n</sub> (kVar)	I <sub>n</sub> (A)	D (mm)	H (mm)	Weight (kg)		Packing unit (pcs)
		U <sub>n</sub> = 400 V		U <sub>n</sub> = 380 V						KNK3053	KNK4053
3 x 33.2	5	7.2	4.5	6.8			75	165	0.9	0.8	16
3 x 49.7	7.5	10.8	6.7	10.2			75	210	1.1	1.0	16
3 x 66.3	10	14.4	9	13.7			75	210	1.1	1.0	16
3 x 82.9	12.5	18	11.3	17.2			75	245	1.4	1.2	16
3 x 99.5	15	21.7	13.5	20.5			90	210	1.5	1.3	16
3 x 132.5	20	28.9	18	27.3			90	245	1.8	1.5	16
3 x 165.8	25	36.1	22.5	34.2			90	285	2.1	1.8	16
3 x 198.9	30	43.1	27	41			116	245	3.0	2.6	9
3 x 265.3	40	57.7	36.1	54.8			116	285	3.6	3.2	9
		U <sub>n</sub> = 440 V		U <sub>n</sub> = 400 V		U <sub>n</sub> = 380 V				KNK3053	KNK4053
3 x 27.4	5	6.6	4.1	5.9	3.7	5.6	75	165	0.9	0.8	16
3 x 41.1	7.5	9.8	6.2	8.9	5.6	8.5	75	210	1.1	1.0	16
3 x 54.8	10	13.1	8.3	12	7.4	11.2	75	245	1.4	1.2	16
3 x 68.5	12.5	16.4	10.4	15	9.3	14.1	90	210	1.5	1.3	16
3 x 82.2	15	19.7	12.4	17.9	11.2	17	90	245	1.8	1.5	16
3 x 109.6	20	26.2	16.6	24	15	22.8	90	285	2.1	1.8	16
3 x 137	25	32.8	20.7	29.9	18.6	28.3	116	210	2.5	2.2	9
3 x 164.4	30	39.4	24.8	35.8	22.4	34	116	245	3.0	2.6	9
3 x 219.2	40	52.5	33.1	47.6	29.8	45.3	116	285	3.6	3.2	9
		U <sub>n</sub> = 480 V		U <sub>n</sub> = 440 V		U <sub>n</sub> = 400 V				KNK3053	KNK4053
3 x 23	5	6	4.2	5.5	3.5	5.1	75	165	0.9	0.8	16
3 x 34.5	7.5	9	6.3	8.3	5.2	7.5	75	210	1.1	1.0	16
3 x 46.1	10	12	8.4	11	7	10.1	75	210	1.1	1.0	16
3 x 57.6	12.5	15	10.5	13.8	8.6	12.4	75	245	1.4	1.2	16
3 x 69.1	15	18	12.7	16.7	10.5	15.2	90	210	1.5	1.3	16
3 x 92.1	20	24.1	16.9	22.2	13.9	20.1	90	245	1.8	1.5	16
3 x 115.1	25	30.1	21	27.6	17.4	25.1	90	285	2.1	1.8	16
3 x 138.2	30	36.1	25.2	33.1	20.8	30	116	210	2.5	2.2	9
3 x 184.2	40	48.1	33.5	44	27.7	40.1	116	285	3.6	3.2	9
		U <sub>n</sub> = 525 V		U <sub>n</sub> = 480 V		U <sub>n</sub> = 440 V				KNK3053	KNK4053
3 x 19.3	5	5.5	4.4	5.1	3.5	4.6	75	165	0.9	0.8	16
3 x 28.9	7.5	8.2	6.2	7.5	5.3	7	75	210	1.1	1.0	16
3 x 38.5	10	11	8.4	10	7	9.2	75	245	1.4	1.2	16
3 x 48.1	12.5	13.7	10.5	12.6	8.8	11.5	75	245	1.4	1.2	16
3 x 57.7	15	16.5	12.5	15	10.5	13.8	90	210	1.5	1.3	16
3 x 77	20	22	16.7	20.1	14	18.4	90	285	2.1	1.8	16
3 x 96.2	25	27.5	20.9	25.1	17.6	23.1	116	210	2.5	2.2	9
3 x 115.5	30	33	25	30.1	21.1	27.7	116	245	3.0	2.6	9
3 x 154	40	44	33.4	40.2	28.1	36.9	116	285	3.6	3.2	9

### $f_n = 50 \text{ Hz}$ - Normal duty 正常負荷

$C_n$ ( $\mu\text{F}$ )	$Q_n$ (kVar)	$I_n$ (A)	$Q_n$ (kVar)	$I_n$ (A)	$Q_n$ (kVar)	$I_n$ (A)	D (mm)	H (mm)	Weight (kg)		Packing unit (pcs)
<b><math>U_n = 690 \text{ V}</math></b>											
									KNK3053	KNK4053	
3 x 11.1	5	4.2					75	165	0.9	0.8	16
3 x 16.7	7.5	6.3					75	210	1.1	1.0	16
3 x 22.3	10	8.4					75	210	1.1	1.0	16
3 x 27.9	12.5	10.5					75	245	1.4	1.2	16
3 x 33.4	15	12.6					90	210	1.5	1.3	16
3 x 44.6	20	16.7					90	245	1.8	1.5	16
3 x 55.7	25	20.9					116	210	2.5	2.2	16
3 x 66.9	30	25.1					116	245	3.0	2.6	9
3 x 89.1	40	33.5					116	285	3.6	3.2	9
<b><math>U_n = 800 \text{ V}</math></b>											
									KNK3053	KNK4053	
3 x 8.3	5	3.6					75	165	0.9	0.8	16
3 x 12.4	7.5	5.4					75	210	1.1	1.0	16
3 x 16.6	10	7.2					75	245	1.4	1.2	16
3 x 20.7	12.5	9					75	245	1.4	1.2	16
3 x 24.9	15	10.8					90	210	1.5	1.3	16
3 x 33.2	20	14.4					90	285	2.1	1.8	16
3 x 41.5	25	18					116	210	2.5	2.2	9
3 x 49.7	30	21.7					116	245	3.0	2.6	9
3 x 66.3	40	28.9					116	285	3.6	3.2	9

### $f_n = 50 \text{ Hz}$ - Heavy duty 大功率

$C_n$ ( $\mu\text{F}$ )	$Q_n$ (kVar)	$I_n$ (A)	$Q_n$ (kVar)	$I_n$ (A)	$Q_n$ (kVar)	$I_n$ (A)	D (mm)	H (mm)	Weight (kg)		Packing unit (pcs)
<b><math>U_n = 400 \text{ V}</math></b>											
			<b><math>U_n = 380 \text{ V}</math></b>						KNK3053	KNK4053	
3 x 33.2	5	7.2	4.5	6.8			75	165	0.9	0.8	16
3 x 49.7	7.5	10.8	6.7	10.2			75	210	1.1	1.0	16
3 x 66.3	10	14.4	9	13.7			90	210	1.5	1.3	16
3 x 82.9	12.5	18	11.3	17.2			90	245	1.8	1.5	16
3 x 99.5	15	21.7	13.5	20.5			90	245	1.8	1.5	16
3 x 132.5	20	28.9	18	27.3			116	210	2.5	2.2	9
3 x 165.8	25	36.1	22.5	34.2			116	245	3.0	2.6	9
3 x 198.9	30	43.1	27	41			116	285	3.6	3.2	9
3 x 265.3	40	57.7	36.1	54.8			136	285	4.6	4.1	1
<b><math>U_n = 440 \text{ V}</math></b>											
			<b><math>U_n = 400 \text{ V}</math></b>			<b><math>U_n = 380 \text{ V}</math></b>			KNK3053	KNK4053	
3 x 27.4	5	6.6	4.1	5.9	3.7	5.6	75	210	1.1	1.0	16
3 x 41.1	7.5	9.8	6.2	8.9	5.6	8.5	75	245	1.4	1.2	16
3 x 54.8	10	13.1	8.3	12	7.4	11.2	90	210	1.5	1.3	16
3 x 68.5	12.5	16.4	10.4	15	9.3	14.1	90	245	1.8	1.5	16
3 x 82.2	15	19.7	12.4	17.9	11.2	17	90	285	2.1	1.8	16
3 x 109.6	20	26.2	16.6	24	15	22.8	116	245	3.0	2.6	9
3 x 137	25	32.8	20.7	29.9	18.6	28.3	116	245	3.0	2.6	9
3 x 164.4	30	39.4	24.8	35.8	22.4	34	116	285	3.6	3.2	9
3 x 219.2	40	52.5	33.1	47.6	29.8	45.3	136	285	4.6	4.1	1
<b><math>U_n = 480 \text{ V}</math></b>											
			<b><math>U_n = 440 \text{ V}</math></b>			<b><math>U_n = 400 \text{ V}</math></b>			KNK3053	KNK4053	
3 x 23	5	6	4.2	5.5	3.5	5.1	75	165	0.9	0.8	16
3 x 34.5	7.5	9	6.3	8.3	5.2	7.5	75	210	1.1	1.0	16
3 x 46.1	10	12	8.4	11	7	10.1	75	245	1.4	1.2	16
3 x 57.6	12.5	15	10.5	13.8	8.6	12.4	90	210	1.5	1.3	16
3 x 69.1	15	18	12.7	16.7	10.5	15.2	90	245	1.8	1.5	16
3 x 92.1	20	24.1	16.9	22.2	13.9	20.1	90	285	2.1	1.8	16
3 x 115.1	25	30.1	21	27.6	17.4	25.1	116	245	3.0	2.6	9
3 x 138.2	30	36.1	25.2	33.1	20.8	30	116	285	3.6	3.2	9
3 x 184.2	40	48.1	33.5	44	27.7	40.1	136	245	4.0	3.6	1
<b><math>U_n = 525 \text{ V}</math></b>											
			<b><math>U_n = 480 \text{ V}</math></b>			<b><math>U_n = 440 \text{ V}</math></b>			KNK3053	KNK4053	
3 x 19.3	5	5.5	4.4	5.1	3.5	4.6	75	165	0.9	0.8	16
3 x 28.9	7.5	8.2	6.2	7.5	5.3	7	75	165	1.2	1.1	16
3 x 38.5	10	11	8.4	10	7	9.2	75	210	1.5	1.3	16
3 x 48.1	12.5	13.7	10.5	12.6	8.8	11.5	90	245	1.8	1.5	16
3 x 57.7	15	16.5	12.5	15	10.5	13.8	90	285	2.1	1.8	16
3 x 77	20	22	16.7	20.1	14	18.4	116	210	2.5	2.2	9
3 x 96.2	25	27.5	20.9	25.1	17.6	23.1	116	245	3.0	2.6	9
3 x 115.5	30	33	25	30.1	21.1	27.7	116	285	3.6	3.2	9
3 x 154	40	44	33.4	40.2	28.1	36.9	136	285	4.6	4.1	1

# 三相低壓乾式功因改善電容器

KNK3053, KNK4053 - 圓柱鋁製外殼



$f_n = 50 \text{ Hz}$  - Heavy duty 大功率

$C_n$ ( $\mu\text{F}$ )	$Q_n$ (kVar)	$I_n$ (A)	$Q_n$ (kVar)	$I_n$ (A)	$Q_n$ (kVar)	$I_n$ (A)	D (mm)	H (mm)	Weight (kg)		Packing unit (pcs)
<b><math>U_n = 690 \text{ V}</math></b>											
3 x 11.1	5	4.2					75	165	KNK3053	KNK4053	16
3 x 16.7	7.5	6.3					90	165	1.2	1.1	16
3 x 22.3	10	8.4					90	210	1.5	1.3	16
3 x 27.9	12.5	10.5					90	245	1.8	1.5	16
3 x 33.4	15	12.6					90	285	2.1	1.8	16
3 x 44.6	20	16.7					116	210	2.5	2.2	9
3 x 55.7	25	20.9					116	245	3.0	2.6	9
3 x 66.9	30	25.1					116	285	3.6	3.2	9
3 x 89.1	40	33.5					1366	285	4.6	4.1	1
<b><math>U_n = 800 \text{ V}</math></b>											
3 x 8.3	5	3.6					75	210	KNK3053	KNK4053	16
3 x 12.4	7.5	5.4					75	245	1.1	1.0	16
3 x 16.6	10	7.2					90	210	1.4	1.2	16
3 x 20.7	12.5	9					90	245	1.5	1.3	16
3 x 24.9	15	10.8					90	285	1.8	1.5	16
3 x 33.2	20	14.4					116	210	2.1	1.8	16
3 x 41.5	25	18					116	245	2.5	2.2	9
3 x 49.7	30	21.7					116	285	3.0	2.6	9
3 x 66.3	40	28.9					136	285	3.6	3.2	9
									4.6	4.1	1

$f_n = 60 \text{ Hz}$  - Normal duty 正常負荷

$C_n$ ( $\mu\text{F}$ )	$Q_n$ (kVar)	$I_n$ (A)	$Q_n$ (kVar)	$I_n$ (A)	$Q_n$ (kVar)	$I_n$ (A)	D (mm)	H (mm)	Weight (kg)		Packing unit (pcs)
<b><math>U_n = 400 \text{ V}</math></b>											
3 x 27.6	5	7.2	4.5	6.8			75	165	KNK3053	KNK4053	16
3 x 41.5	7.5	10.8	6.7	10.2			75	165	0.9	0.8	16
3 x 55.3	10	14.4	9	13.7			75	210	1.1	1.0	16
3 x 69.1	12.5	18	11.3	17.2			75	245	1.4	1.2	16
3 x 82.9	15	21.7	13.5	20.5			75	245	1.4	1.2	16
3 x 110.5	20	28.9	18	27.3			90	245	1.8	1.5	16
3 x 138.2	25	36.1	22.6	34.3			90	285	2.1	1.8	16
3 x 165.8	30	43.1	27	41			116	210	2.5	2.2	9
3 x 221.1	40	57.7	36.1	54.8			116	245	3.0	2.6	9
<b><math>U_n = 440 \text{ V}</math></b>											
3 x 22.8	5	6.6	4.1	5.9	3.7	5.6	75	165	KNK3053	KNK4053	16
3 x 34.3	7.5	9.8	6.2	8.9	5.6	8.5	75	210	0.9	0.8	16
3 x 45.7	10	13.1	8.3	12	7.5	11.4	75	210	1.1	1.0	16
3 x 57.1	12.5	16.4	10.4	14.9	9.3	14.1	75	245	1.4	1.2	16
3 x 68.5	15	19.7	12.4	17.9	11.2	17	90	210	1.5	1.3	16
3 x 91.3	20	26.2	16.6	23.8	14.9	22.6	90	245	1.8	1.5	16
3 x 114.2	25	32.8	20.7	29.9	18.7	28.4	90	285	2.1	1.8	16
3 x 137	30	39.4	24.8	35.8	22.4	34	116	210	2.5	2.2	9
3 x 182.7	40	52.5	33.1	47.6	29.8	45.3	116	285	3.6	3.2	9
<b><math>U_n = 480 \text{ V}</math></b>											
3 x 19.2	5	6	4.2	5.5	3.5	5.1	75	165	KNK3053	KNK4053	16
3 x 28.8	7.5	9	6.3	8.3	5.2	7.5	75	165	0.9	0.8	16
3 x 38.4	10	12	8.4	11	7	10.1	75	210	1.1	1.0	16
3 x 50	12.5	15	11	14.4	9	13	75	245	1.4	1.2	16
3 x 57.6	15	18	12.8	16.8	10.4	15	75	245	1.4	1.2	16
3 x 76.8	20	24.1	16.8	22	13.9	20.1	90	210	1.5	1.3	16
3 x 95.9	25	30.1	21	27.6	17.4	25.1	90	245	1.8	1.5	16
3 x 115.1	30	36.1	25.2	33.1	20.8	30	90	285	2.1	1.8	16
3 x 153.5	40	48.1	33.6	44.1	27.8	40.1	116	245	3.0	2.6	9
<b><math>U_n = 525 \text{ V}</math></b>											
3 x 16	5	6.5	4.2	5.1	3.5	4.6	75	165	KNK3053	KNK4053	16
3 x 24.1	7.5	8.2	6.3	7.6	5.3	7	75	165	0.9	0.8	16
3 x 32.1	10	11	8.4	10.1	7	9.2	75	210	1.1	1.0	16
3 x 40.1	12.5	13.7	10.5	12.6	8.8	11.5	75	245	1.4	1.2	16
3 x 48.1	15	16.5	12.5	15	10.5	13.8	75	245	1.4	1.2	16
3 x 64.2	20	22	16.7	20.1	14.1	18.5	90	245	1.8	1.5	16
3 x 80.2	25	27.5	21	25.3	17.5	23	90	285	2.1	1.8	16
3 x 96.2	30	33	25.1	30.2	21	27.6	116	210	2.5	2.2	9
3 x 128.3	40	44	33.5	40.3	28.1	36.9	116	245	3.0	2.6	9

$f_n = 60 \text{ Hz}$  - Normal duty 正常負荷

$C_n$ ( $\mu\text{F}$ )	$Q_n$ (kVar)	$I_n$ (A)	$Q_n$ (kVar)	$I_n$ (A)	$Q_n$ (kVar)	$I_n$ (A)	D (mm)	H (mm)	Weight (kg)		Packing unit (pcs)
<b><math>U_n = 690 \text{ V}</math></b>											
									KNK3053	KNK4053	
3 x 9.3	5	4.2					75	165	0.9	0.8	16
3 x 13.9	7.5	6.3					75	165	0.9	0.8	16
3 x 18.6	10	8.4					75	210	1.1	1.0	16
3 x 23.2	12.5	10.5					75	245	1.4	1.2	16
3 x 27.9	15	12.6					75	245	1.4	1.2	16
3 x 37.1	20	16.7					90	245	1.8	1.5	16
3 x 46.4	25	20.9					90	245	1.8	1.5	16
3 x 55.7	30	25.1					90	285	2.1	1.8	16
3 x 74.3	40	33.5					116	245	3.0	2.6	9
<b><math>U_n = 800 \text{ V}</math></b>											
									KNK3053	KNK4053	
3 x 6.9	5	3.6					75	165	0.9	0.8	16
3 x 10.4	7.5	5.4					75	165	0.9	0.8	16
3 x 13.8	10	7.2					75	210	1.1	1.0	16
3 x 17.3	12.5	9					75	245	1.4	1.2	16
3 x 20.7	15	10.8					90	210	1.5	1.3	16
3 x 27.6	20	14.4					90	245	1.8	1.5	16
3 x 34.5	25	18					90	285	2.1	1.8	16
3 x 41.6	30	21.7					116	210	2.5	2.2	9
3 x 55.3	40	28.9					116	245	3.0	2.6	9

$f_n = 60 \text{ Hz}$  - Heavy duty 大功率

$C_n$ ( $\mu\text{F}$ )	$Q_n$ (kVar)	$I_n$ (A)	$Q_n$ (kVar)	$I_n$ (A)	$Q_n$ (kVar)	$I_n$ (A)	D (mm)	H (mm)	Weight (kg)		Packing unit (pcs)
<b><math>U_n = 400 \text{ V}</math></b>											
			<b><math>U_n = 380 \text{ V}</math></b>						KNK3053	KNK4053	
3 x 27.6	5	7.2	4.5	6.8			75	165	0.9	0.8	16
3 x 41.5	7.5	10.8	6.7	10.2			75	210	1.1	1.0	16
3 x 55.3	10	14.4	9	13.7			75	245	1.4	1.2	16
3 x 69.1	12.5	18	11.3	17.2			90	210	1.5	1.3	16
3 x 82.9	15	21.7	13.5	20.5			90	245	1.8	1.5	16
3 x 110.5	20	28.9	18	27.3			90	285	2.1	1.8	16
3 x 138.2	25	36.1	22.6	34.3			116	210	2.5	2.2	9
3 x 165.8	30	43.3	27	41			116	245	3.0	2.6	9
3 x 221.1	40	57.7	36.1	54.8			136	245	4.0	3.6	1
<b><math>U_n = 440 \text{ V}</math></b>											
			<b><math>U_n = 400 \text{ V}</math></b>		<b><math>U_n = 380 \text{ V}</math></b>				KNK3053	KNK4053	
3 x 22.8	5	6.6	4.1	5.9	3.7	5.6	75	165	0.9	0.8	16
3 x 34.3	7.5	9.8	6.2	8.9	5.6	8.5	75	210	1.1	1.0	16
3 x 45.7	10	13.1	8.3	12	7.5	11.4	75	245	1.4	1.2	16
3 x 57.1	12.5	16.4	10.3	14.9	9.3	14.1	90	210	1.5	1.3	16
3 x 68.5	15	19.7	12.4	17.9	11.2	17	90	245	1.8	1.5	16
3 x 91.3	20	26.2	16.5	23.8	14.9	22.6	90	285	2.1	1.8	16
3 x 114.2	25	32.8	20.7	29.9	18.7	28.4	116	245	3.0	2.6	9
3 x 137	30	39.4	24.8	35.8	22.4	34	116	245	3.0	2.6	9
3 x 182.7	40	52.5	33.1	47.6	29.8	45.3	136	245	4.0	3.6	1
<b><math>U_n = 480 \text{ V}</math></b>											
			<b><math>U_n = 440 \text{ V}</math></b>		<b><math>U_n = 400 \text{ V}</math></b>				KNK3053	KNK4053	
3 x 19.2	5	6	4.2	5.5	3.5	5.1	75	165	0.9	0.8	16
3 x 28.8	7.5	9	6.3	8.3	5.2	7.5	75	210	1.1	1.0	16
3 x 38.4	10	12	8.4	11	7	10.1	75	245	1.4	1.2	16
3 x 50	12.5	15	11	14.4	9	13	90	210	1.5	1.3	16
3 x 57.6	15	18	12.8	16.8	10.4	15	90	210	1.5	1.3	16
3 x 76.8	20	24.1	16.8	22	13.9	20.1	90	245	1.8	1.5	16
3 x 95.9	25	30.1	21	27.6	17.4	25.1	116	210	2.5	2.2	9
3 x 115.1	30	36.1	25.2	33.1	20.8	30	116	245	3.0	2.6	9
3 x 153.5	40	48.1	33.6	44.1	27.8	40.1	116	285	3.6	3.2	9
<b><math>U_n = 525 \text{ V}</math></b>											
			<b><math>U_n = 480 \text{ V}</math></b>		<b><math>U_n = 440 \text{ V}</math></b>				KNK3053	KNK4053	
3 x 16	5	6.5	4.2	5.1	3.5	4.6	75	165	0.9	0.8	16
3 x 24.1	7.5	8.2	6.3	7.6	5.3	7	75	210	1.1	1.0	16
3 x 32.1	10	11	8.4	10.1	7	9.2	75	245	1.4	1.2	16
3 x 40.1	12.5	13.7	10.5	12.6	8.8	11.5	90	210	1.5	1.3	16
3 x 48.1	15	16.5	12.5	15	10.5	13.8	90	245	1.8	1.5	16
3 x 64.2	20	22	16.7	20.1	14.1	18.5	90	285	2.1	1.8	16
3 x 80.2	25	27.5	21	25.3	17.5	23	116	210	2.5	2.2	9
3 x 96.2	30	33	25.1	30.2	21	27.6	116	245	3.0	2.6	9
3 x 128.3	40	44	33.5	40.3	28.1	36.9	116	285	3.6	3.2	9

# 三相低壓乾式功因改善電容器

KNK3053, KNK4053 - 圓柱鋁製外殼



$f_n = 60 \text{ Hz}$  - Heavy duty 大功率

$C_n$ ( $\mu\text{F}$ )	$Q_n$ (kVar)	$I_n$ (A)	$Q_n$ (kVar)	$I_n$ (A)	$Q_n$ (kVar)	$I_n$ (A)	D (mm)	H (mm)	Weight (kg)		Packing unit (pcs)
$U_n = 690 \text{ V}$											
3 x 9.3	5	4.2					75	165	KNK3053	KNK4053	16
3 x 13.9	7.5	6.3					75	210	1.1	1.0	16
3 x 18.6	10	8.4					75	245	1.4	1.2	16
3 x 23.2	12.5	10.5					90	210	1.5	1.3	16
3 x 27.9	15	12.6					90	245	1.8	1.5	16
3 x 37.1	20	16.7					90	285	2.1	1.8	16
3 x 46.4	25	20.9					116	245	3.0	2.6	9
3 x 55.7	30	25.1					116	245	3.0	2.6	9
3 x 74.3	40	33.5					136	245	4.0	3.6	1
$U_n = 800 \text{ V}$											
3 x 6.9	5	3.6					75	165	KNK3053	KNK4053	16
3 x 10.4	7.5	5.4					75	210	1.1	1.0	16
3 x 13.8	10	7.2					75	245	1.4	1.2	16
3 x 17.3	12.5	9					90	210	1.5	1.3	16
3 x 20.7	15	10.8					90	245	1.8	1.5	16
3 x 27.6	20	14.4					90	285	2.1	1.8	16
3 x 34.5	25	18					116	245	3.0	2.6	9
3 x 41.6	30	21.7					116	245	3.0	2.6	9
3 x 55.3	40	28.9					136	245	4.0	3.6	1

如盈科技